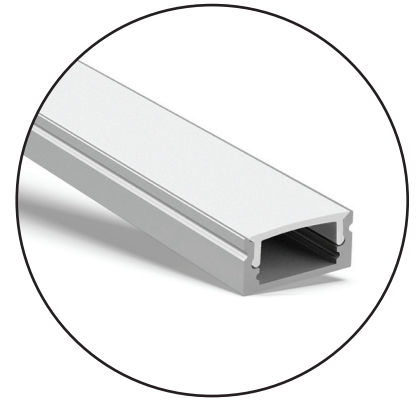
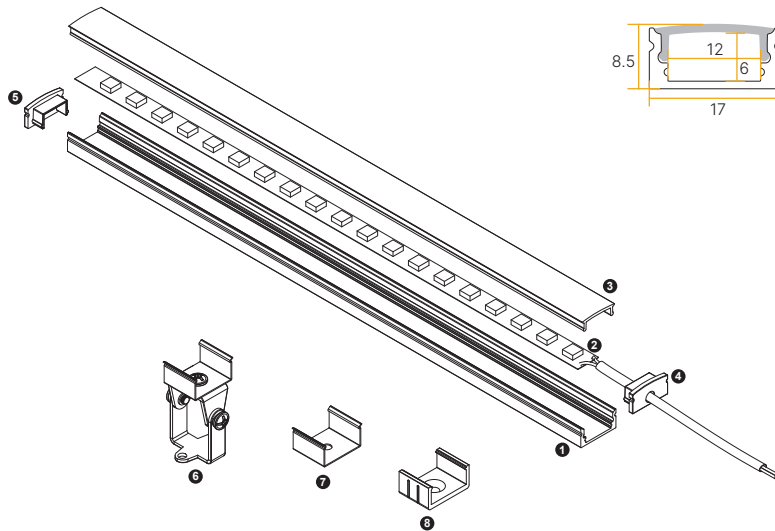


FF-Micro

Surface mount Aluminum LED Profile



MOUNTING



Adjustable



Surface

100°



COMPONENTS

	Name	Code	Material	Color
1	Aluminum profile	FFM	Aluminum	Silver/White/Black/RAL color
2	LED Strip	[Consult LED Strip Specification Sheets]		
4	Endcap (with hole)	FFM-Cap-H	Plastic	Grey/White/Black
5	Endcap (without hole)	FFM-Cap	Plastic	Grey/White/Black
6	Adjustable Clip	FFM-Clip-A	Stainless Steel	ecru
7	Metal Clip	FFM-Clip-M	Stainless Steel	ecru
8	Plastic Clip	FFM-Clip-P	Plastic	Clear

3 Optional Diffuser (PMMA/PC)

Color	Light Transmittance
Opal	52%
Milky	64%
Frosted	81%
Clear	95%

FEATURES

- Customizable, low profile extrusion
- Durable, anodized aluminum
- Housing provides protection for LED systems
- Suitable for use under cabinets and shelves
- Mounted with clips or double sided tape

NOTES

- * LED tape sold separately
- * Remote power supply sold separately

